

AD2-28

107x95x47 MM

BARRA DIN



Versatile Split Defrost Controller

Main Features

- Cyclic defrosts
- Synchronized defrost start and termination with master-slave connection
- Selectable NTC10K or PTC input
- FLEXICOLD function for energy saving or alternative setpoint
- Optional control of a second compressor or evaporator
- Excellent evaporator fan control
- Absolute or relative temperature alarms, door open alarm, condenser high temperature/pressure alarm
- Light and standby control (On/Off)
- Quick programming through ZOFAD2
- Connection to LAE supervisory systems
- Available display unit: LCD-5S or RU33

Applications

Upright refrigerators, plug-in and supermarket display cases, cold stores, control panels.

Technical Data: LCD-5S display unit

DIMENSIONS :	77x35x20 mm (WxHxD)
PANEL CUT-OUT:	71x29mm
FRONT PROTECTION:	IP55

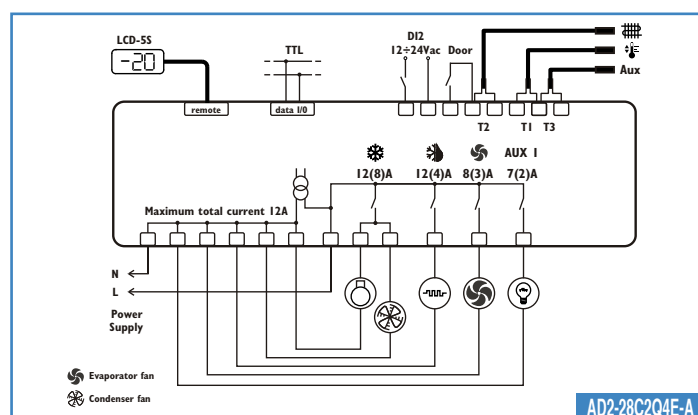
Technical Data

RANGE:	-50÷120°C, -55...240°F	
RESOLUTION:	0.1 / 1 °C; °F	
PRECISION:	NTC10K:	<±0.3°C (-40.0÷70.0°C)
	PTC1000:	<±0.5°C (-50÷120°C)
SENSOR TYPE:	SELECTABLE NTC10K STANDARD MOD. SN4K20P1/P2/P3 o PTC1000 MOD. STANDARD ST1K20P1/P2/P3	
POWER SUPPLY:	230VAC ±10% 50÷60Hz 3W	

AD2-28 series

Functions		B1S3E-A	C2Q4E-A	C3R5U-B
Temperature inputs	Thermostat	✓	✓	✓
	Evaporator	✓	✓	✓
	Auxiliary	✓	✓	✓
Door switch input	Voltage free contact	✓	✓	✓
	Voltage free contact	✓	✓	✓
DI2 aux. digital input	Voltage 12÷24Vac	✓	✓	✓
	Defrost synchronisation	✓	✓	✓
Connections	Quick with M/F connectors	✓	✓	✓
	Screw terminals	✓	✓	✓
Display unit	LCD-5S	✓	✓	✓
	RU33	✓	✓	✓
Outputs	Thermostat	✓	✓	✓
	Evaporator fans	✓	✓	✓
	Defrost	✓	✓	✓
	Auxiliary 1	✓	✓	✓
	Auxiliary 2	✓	✓	✓
Power supply	230Vac	✓	✓	✓
	115Vac	✓	✓	✓
Serial port	TTL	✓	✓	✓
	RS485	✓	✓	✓

All models come with an alarm buzzer. Versions with power supply 12Vac are also available.
In order to know more options available for the models, please consult LAE or our local dealer.



AD2-28C2Q4E-A